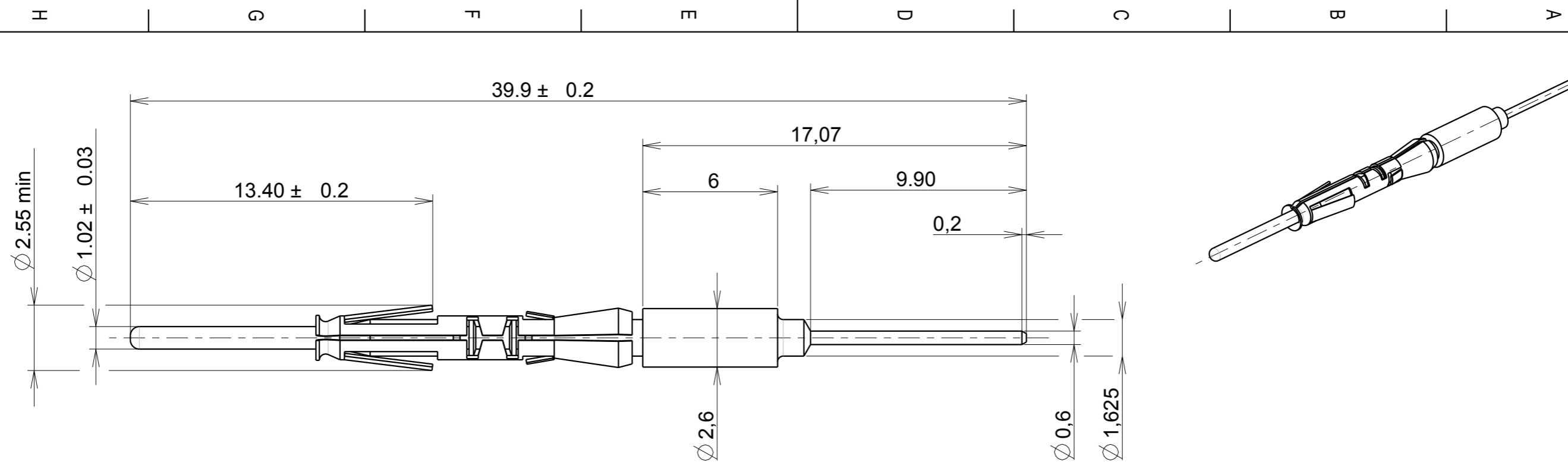


C : 2 ; RL



Notes :

The extraction tool is RX20D44
Machined contact

Material :

Contact body:high conductive copper alloy
:plating: K=0.4 micron gold over nickel
Retaining spring:stainless steel

Performance Characteristics :

Contact retention in the body:50N max
Contact insertion force:5N max
Contact separation force:2N min
current rating:7.5 Amps
Contact resistance:6m Ω max
Dielectric withstanding voltage:1500 Vrms min

P/N : RMW50A7K

C	21/03/12	Update drawing		
ISS	DATE	Latest modification - by:	MOREAU F	MOD N°
Designed by:		C. PROVOST	Date: 28/08/03	CUSTOMER DRAWING
TITLE		MALE SPILL CONTACT #20 CONNECTOR UTOW		
Scale	5/1	General linear Tolerances: ± 0.1	NPRDS / PROJECT MKSI	
		WWW.SOURIAU.COM		This document is the property of SOURIAU It must not be reproduced or communicated without permission
FORMAT	A3	SOURIAU DRG N° RMW50A7K-C01		SHEET 1 / 1